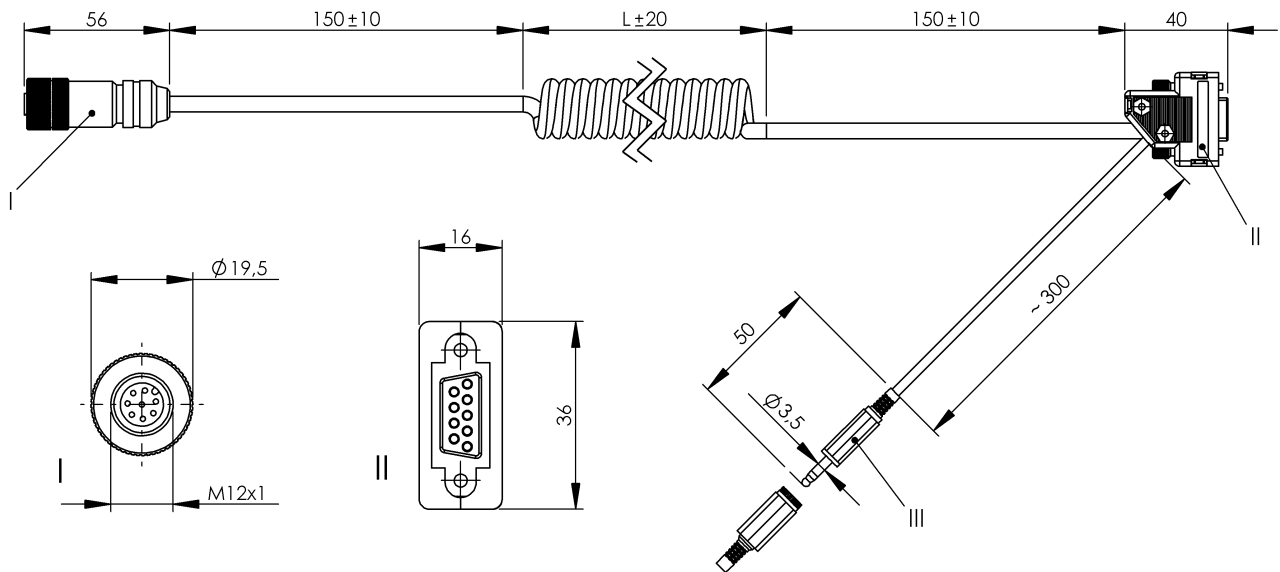


## Y-Splitters

BIS Z-AK-001-PU1-04

Order Code: BCC0C7Z

# BALLUFF



### Basic features

Approval/Conformity	CE UKCA WEEE
---------------------	--------------------

### Electrical connection

Bending radius min., fixed cable	30 mm
Bending radius min., flexible cable	60 mm
Connection 1	M12x1-Female
Connection 2	D-Sub-Female
Connection 3	Jack plug
Number of conductors	4/2
System	Molded/assembled

### Electrical data

Operating voltage $U_b$	19.2...26.4 VDC
-------------------------	-----------------

### Environmental conditions

Cable temperature, flexible routing	0...70 °C
IP rating	IP40

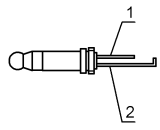
### Mechanical data

Cable jacket, color	black
Cable length coil	1.1...3.7 m

### Remarks

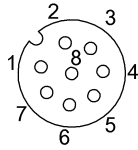
Enclosure rating per IEC 60529, only in screwed state with the associated mating piece.  
Only together with BIS L-40x or BIS M-40x

## Connector Drawings



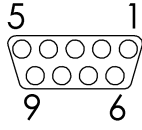
III

PIN 1: +VS  
 PIN 2: GND



I

PIN 2: TxD  
 PIN 3: RxD  
 PIN 6: GND  
 PIN 7: +VS



II

PIN 2: TxD  
 PIN 3: RxD  
 PIN 5: GND

## Wiring Diagrams

